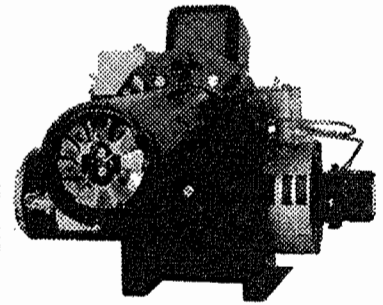




801 GLASGOW AVE.
FORT WAYNE, IN 46803

MODEL FH OIL BURNERS

Manual 21827-001
Publication Date 12/28/2010 Revision 8



WARNING

ELECTRIC SHOCK HAZARD

HIGH VOLTAGES ARE PRESENT IN THIS EQUIPMENT. FOLLOW THESE RULES TO AVOID ELECTRIC SHOCK.

- ▲ Use only a properly grounded circuit. A ground fault interrupter is recommended.
- ▲ Do not spray water directly on burner.
- ▲ Turn off power before servicing.
- ▲ Read the owner's manual before using.



WARNING

OVERHEATING HAZARD

SHOULD OVERHEATING OCCUR:

- ▲ Shut off the manual oil valve to the appliance.
- ▲ Do not shut off the control switch to the pump or blower.

WARNING

NEVER ATTEMPT TO USE GASOLINE AS A FUEL FOR THIS BURNER, AS IT IS MORE COMBUSTIBLE AND COULD RESULT IN A SERIOUS EXPLOSION.

SPECIFICATIONS

FOR YOUR SAFETY

DO NOT STORE OR USE GASOLINE OR OTHER FLAMMABLE VAPORS AND LIQUIDS IN THE VICINITY OF THIS OR ANY OTHER APPLIANCE.

FUELS

Use No. 1 or No. 2 heating oil (ASTM D-396) only.

- * NEVER burn garbage or refuse in the heating unit.
- * NEVER try to ignite oil by tossing burning paper or other material into the heating unit
- * NEVER burn waste or crankcase oil in the heating unit.

FIRING CAPACITIES - MODEL FH

4.00 to 13.00 GALLONS PER HOUR
560,000 TO 1,820,000 BTU/HR INPUT

DIMENSIONS (STANDARD)

HEIGHT16"
WIDTH22 1/2"
DEPTH12"
CENTER LINE
OF TUBE TO FLOOR9 1/2"

FUEL UNIT

Suntec

MOUNTING

Adjustable Flange or Base Mount

ELECTRICAL

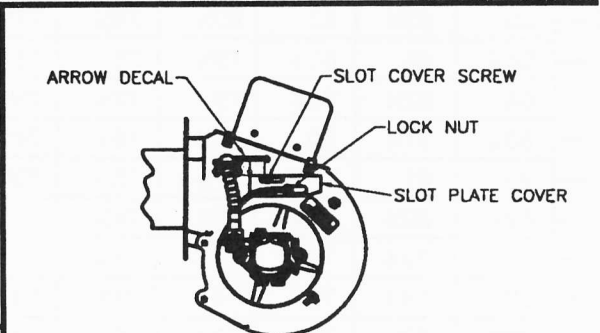
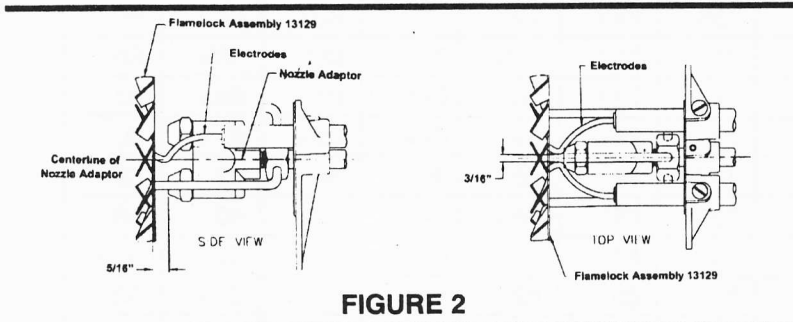
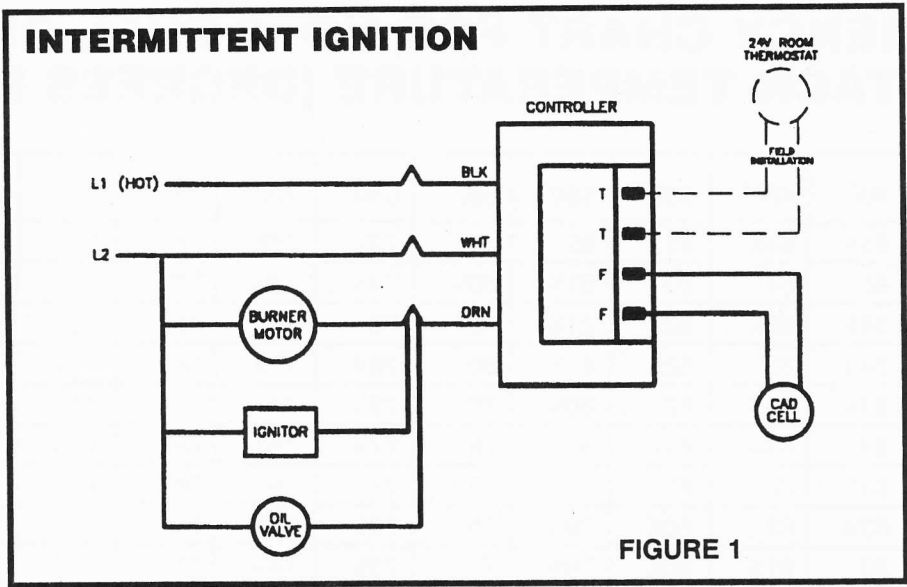
Power Supply115V / 60HZ / 1 PH
Motor3450 RPM, N.E.M.A. Flange, Manual Reset Overload Protection
Ignition.....10,000V / 23MA secondary, Continuous Duty-Shielded Interrupted

INSTALLATION OF BURNER

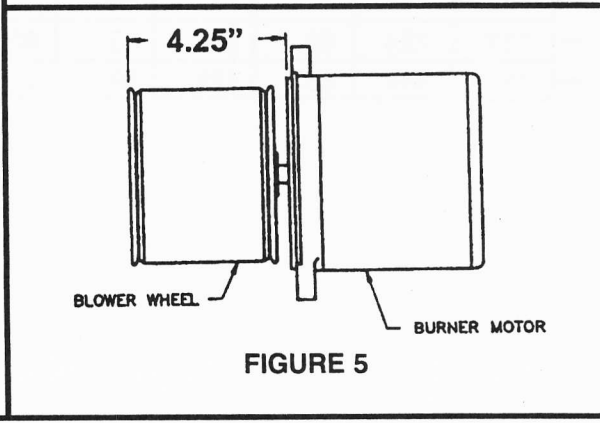
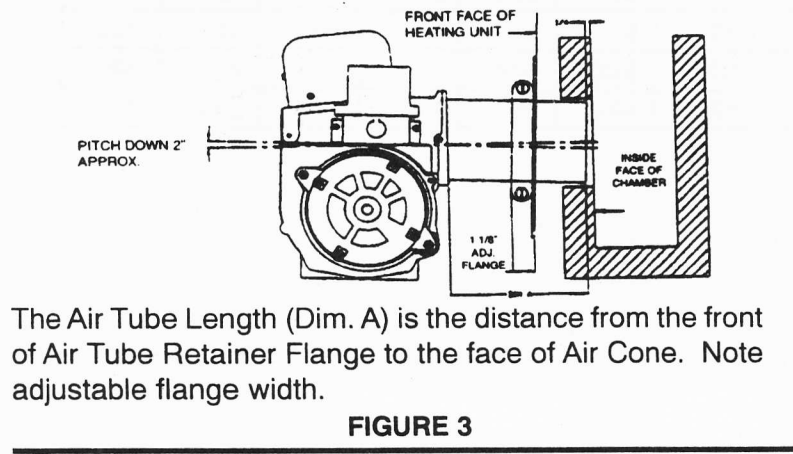
INSTALLATION OF THE BURNER MUST BE DONE BY A QUALIFIED INSTALLER IN ACCORDANCE WITH REGULATIONS OF THE NATIONAL FIRE PROTECTION STANDARD FOR OIL-BURNING EQUIPMENT, NFPA NO. 31, AND IN COMPLETE ACCORDANCE WITH ALL LOCAL CODES AND AUTHORITIES HAVING JURISDICTION.

A QUALIFIED INSTALLER IS THE PERSON WHO IS RESPONSIBLE FOR THE INSTALLATION AND ADJUSTMENT OF THE EQUIPMENT AND WHO IS LICENSED TO INSTALL OIL-BURNING EQUIPMENT IN ACCORDANCE WITH ALL CODES AND ORDINANCES.

**THESE INSTRUCTIONS SHOULD BE AFFIXED TO THE BURNER
OR ADJACENT TO THE HEATING APPLIANCE.**



TO DETERMINE THE AIR TUBE LENGTH



STANDARD MODEL FH OIL BURNER PARTS LIST

DESCRIPTION	PART NO.
MOTOR, 1/2HP - 120V/60HZ, 3450RPM	21819-002
MOTOR MOUNTING SCREWS	12701
FAN	21702-002
COUPLING	13142-002
PUMP-SUNTEC B2TB8261	101201-001
PUMP MOUNTING SCREWS	12701
VALVE-HONEYWELL V4046A1009	13135
VALVE MOUNTING NIPPLE	13384
VALVE MOUNTING NIPPLE LOCKNUT	12910
PUMP AND VALVE ELBOW	12091
OIL LINE ASSEMBLY-9 3/4"	13153
TRANSFORMER KIT (120V/60HZ)	23101-FH
TRANSFORMER HINGE SCREW	13036
TRANSFORMER COVER SCREW	16156
CONTROL-15 SECOND	101266-001
CAD CELL-HONEYWELL C554A1216	13666
HOUSING ASSEMBLY (INCL J-BOX)	31141-001
J-BOX ONLY	20369
J-BOX CHASE NIPPLE	12909
J-BOX LOCKNUT	12901
J-BOX ATTACHMENT SCREW	16156
WIRE CLIPS	12651
WIRE CLIP SCREWS	16156
WIRE CLIP NUTS	100601-001
OIL LINE SLOT COVER	14995
OIL LINE SLOT COVER SCREW	12697
OIL LINE LOCKNUT	12342
AIR BAND-INNER	2669-002

DESCRIPTION	PART NO.
AIR BAND-OUTER	2668-002
AIR BAND SCREW	12701
AIR TUBE/FLANGE-STD 10" BURNER	31143-012
AIR TUBE/FLANGE-STD 15" BURNER	31145-012
AIR CONE-4 3/8" ID (4.00-11.00GPH)	14203
AIR CONE- 4 13/16" ID (OVER 11 GPH)	13127
AIR CONE MOUNTING SCREW	12699
GUN ASSEMBLY-STD 10" UNIT	30728-002
GUN ASSEMBLY-STD 15" UNIT	30728-008
NOZZLES (AS SPECIFIED/REQUIRED)	VARIES
DUAL NOZZLE ADAPTER	12573
FLAMELOCK ASSEMBLY	13129
TRIPOD ELECTRODE SUPPORT	12596
ELECTRODE SUPPORT BUSHINGS	12408
ELECTRODE SUPPORT SET SCREWS	12693
ELECTRODE LOCKING SCREWS	12694
DISC-2 1/2" SOLID	13409
DISC MOUNTING SCREW	100603-028
CAD CELL MOUNTING BRACKET	13078
ELECTRODE STEM-RIGHT HAND	13149
ELECTRODE STEM-LEFT HAND	13150
ELECTRODE INSULATOR	100005-002
ELECTRODE ASSEMBLY NUTS	13110
BUSS BAR	100004-036
BUSS BAR SUPPORT	13276-002
ADJUSTABLE FLANGE W/GASKET	20471-SER
FLANGE GASKET ONLY	20529
BASE ASSEMBLY	20095