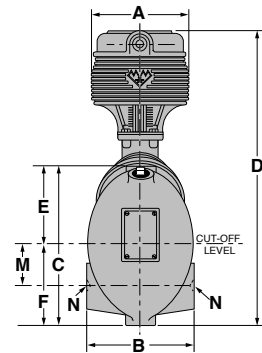
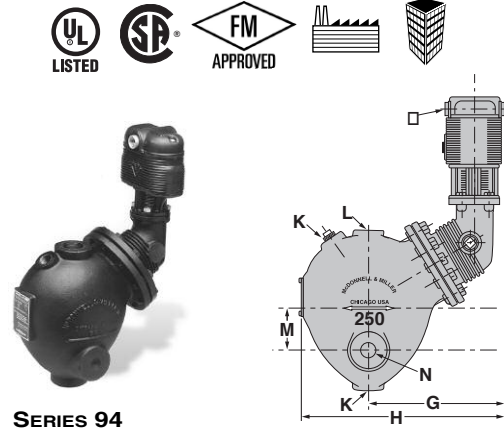


## Low Water Cut-Offs – Mechanical Combination Low Water Cut-Off/Pump Controllers for Steam Boilers

### Series 94

#### Low Water Cut-Off/Pump Controllers

- For commercial and industrial low or high pressure steam boilers
- Maintains consistent water level regardless of pressure
- For boilers of any steaming capacity
- No. 5 Switch included
- Magnetic repulsion eliminates need for bellows
- Optional features
  - Manual reset
- 7B switch (135ohm proportional control signal) to maintain constant boiler water level
  - BSPT threads
- 1¼" NPT connections
- Maximum pressure 250 psi (17.6 kg/cm<sup>2</sup>)
- Ten bolt flange



### Electrical Ratings

345 VA at 120 or 240 VAC

### Ordering Information

Model Number	Part Number	Description	Weight lbs. (kg)
94	165200	Combination low water cut-off/pump controller w/No. 5 switch	52.5 (23.8)
94-A	165500	94 w/alternate tapplings	50.3 (22.8)
94-AM	165800	94-A w/manual reset	50.3 (22.8)
94-A-7B	165700	94-AM w/No. 7B switch	52.5 (23.8)
94-M	165900	94 w/manual reset	52.5 (23.8)
94-7B	166300	94 w/No. 7B switch	52.0 (23.6)

### Dimensions, in. (mm)

Model	A	B	C	D
94	6 (152)	7 (178)	10 <sup>9</sup> / <sub>16</sub> (268)	18 <sup>13</sup> / <sub>16</sub> (478)
94-A	6 (152)	7 (178)	10 <sup>9</sup> / <sub>16</sub> (268)	18 <sup>13</sup> / <sub>16</sub> (478)

Model	E	F	G	H
94	5 <sup>7</sup> / <sub>8</sub> (149)	4 <sup>11</sup> / <sub>16</sub> (119)	8 <sup>3</sup> / <sub>4</sub> (222)	12 <sup>15</sup> / <sub>16</sub> (328.6)
94-A	5 <sup>7</sup> / <sub>8</sub> (149)	4 <sup>11</sup> / <sub>16</sub> (119)	8 <sup>3</sup> / <sub>4</sub> (222)	12 <sup>15</sup> / <sub>16</sub> (328.6)

Model	J	K NPT	L NPT	M	N
94	½ (15)	1¼	1¼	–	–
94-A	½ (15)	1¼	1¼	2 <sup>1</sup> / <sub>16</sub> (52)	1¼ (32)